

GOLF SWING JOINTS



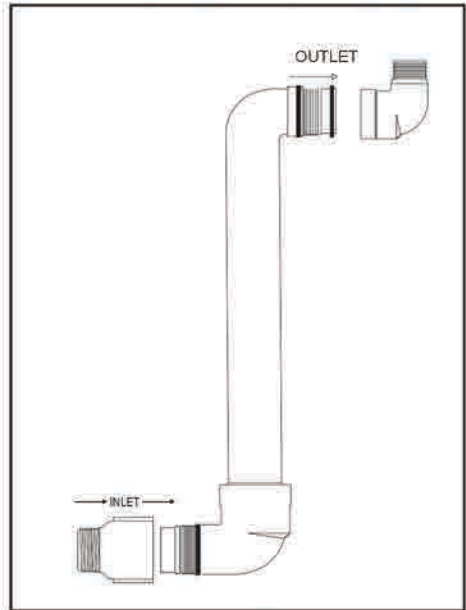
ذراع مرن لتوصيل رشاشات الجولف

Applications :

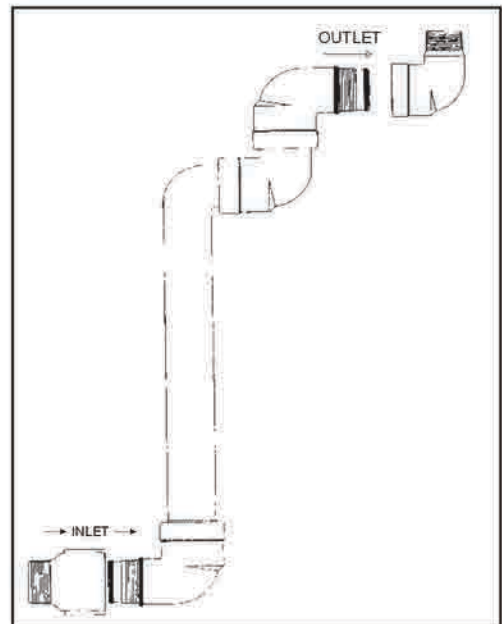
- * Ideal for use in large irrigation project such as Golf course, Sports field, Turf and landscape applications.
- * Excellent for use under sprinkler heads anywhere a high quality installation is required.
- * Suitable for valve-in-head application.

Features & Specification :

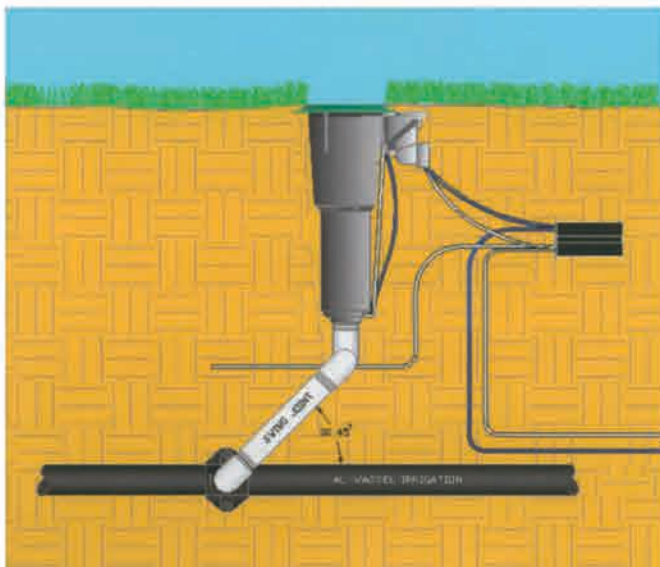
- * Manufactured from ABS Virgin raw Material.
- * ACME thread & 'O' ring seals used to eliminate expansive call - backs of leaking joints
- * Pre Assembled to lay length shown below.
- * Operating pressure : 315 Psi at 73° F (20° C).
- * Leak proof 'O' ring seated in sealing grooves free of parting lines.
- * Can be used on bottom or side inlet sprinklers and quick coupler valves.
- * Reliable ACME threads allow freedom of movement while maintaining joint integrity.
- * Available on BSP, NPT and ACME Thread.
- * 360 Rotation in 3 and 5 direction assembly complete.



3 Direction




5 Direction



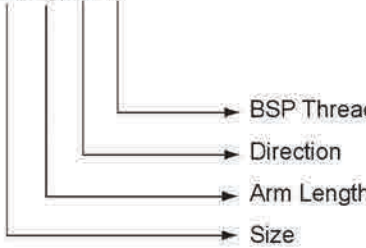
GOLF SWING JOINTS

ذراع مرن لتوصيل رشاشات الجولف



Description	Nom. Size			Code	Quantity Per Carton	Weight Kgs	
	Dia Inch	Arm Length Inch	Direction No.				
<p>Golf Swing Joint WS-GSJ</p> <p>Material : ABS Execution : Injection Moulded O' Ring : SBR Thread : ACME, NPT & BSP Color : White</p> 	1"	6"	3	WS-GSJ-10-6-3	25	7.10	
	1"	6"	5	WS-GSJ-10-6-5	14	8.90	
	1"	12"	3	WS-GSJ-10-12-3	25	8.50	
	1"	12"	5	WS-GSJ-10-12-5	14	8.70	
	1.1/4"	6"	3	WS-GSJ-12-6-3	20	7.75	
	1.1/4"	6"	5	WS-GSJ-12-6-5	10	8.10	
	1.1/4"	12"	3	WS-GSJ-12-12-3	20	7.20	
	1.1/4"	12"	5	WS-GSJ-12-12-5	10	8.90	
	1.1/2"	6"	3	WS-GSJ-15-6-3	10	7.10	
	1.1/2"	6"	5	WS-GSJ-15-6-5	08	6.90	
	1.1/2"	12"	3	WS-GSJ-15-12-3	10	7.10	
	1.1/2"	12"	5	WS-GSJ-15-12-5	08	7.05	
							8.20

Eg : WS-GSJ - 10 - 6- 3 -B

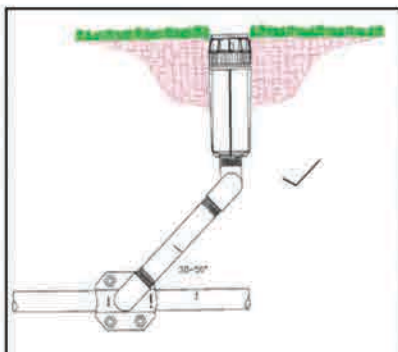


Please Specify :

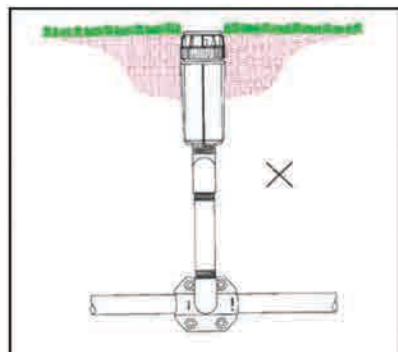
- B - BSP Thread
- N - NPT Thread
- A - ACME Thread

GOLF SWING JOINT RISER ASSEMBLIES

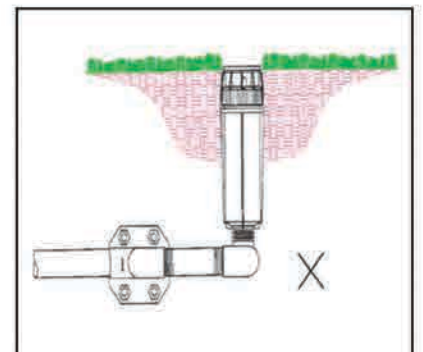
INSTALLATION INSTRUCTION



RIGHT



WRONG



WRONG

GOLF SWING JOINT RISER ASSEMBLIES SHOULD NOT BE INSTALLED PERPENDICULAR OR PARALLEL TO THE SUPPLY LINE